

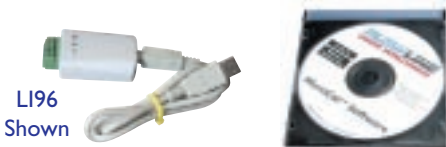
MicroPoint™

Multi-Channel Level Indicator

Specifications

Display type:	LCD, 5-digit
Display units:	Factory cal: % of span PC cal: engineering*
Decimal point:	Floating
Display output:	Transmitter: 0-99999 Switch: Good / alarm*
Display height:	0.4" (1 cm)
Display backlight:	LED bar (adjustable)
Linearization:*	2-16-point function
User interface:	Single push button
Input channels:	LI42: (2) 4-20 mA LI44: (4) 4-20 mA
Loop insertion:	LI42: In-series, 10 Ohms LI44: N/a (stand-alone)
Supply voltage:	12-24 VDC
PC-cal. interface:*	USB® adapter w/cable
PC-cal. software:*	MicroCal (Windows®)
Memory:	Non-volatile
Alarm type:*	LI42: (2) FET switches with opt. audible chirp LI44: (1) FET switch with opt. audible chirp
Alarm cancel:*	Single push button
Alarm set points:*	1 point: alarm 2 points: out of bounds
Switch rating:*	1A @ 24 VDC
Switch output:*	Normally open
Operating temp.:	F: -4° to 140° C: -20° to 60°
Cable type:	10-conductor, #22 AWG
Cable length:	10' (3m)
Enclosure rating:	NEMA 4X (IP65)
Enclosure matl:	PC/ABS FR
Enclosure mount:	Panel or field
Button matl:	Silicon rubber
Classification:	General purpose
CE compliance:	EN 61326 (97) Class A CISPR 11 (97) Class A Group 1

* Requires LI96-1001 MicroCal calibration kit



LI96
Shown



Panel Mount
Installation

Wall Mount
Installation

Description

Factory calibrated, the general purpose indicator reads 0-100% of span with two or four level transmitter input channels. A single push button allows users to scroll through active channels. With the optional MicroCal PC calibration kit, users can customize engineering units, configure FET alarm set points from level transmitter and switch inputs, and/or linearize the volumetric measurement of odd shaped tanks. The compact NEMA 4X enclosure supports panel and wall mount installations. Select the 2 channel version for loop insertion with PLC's and the 4 channel for stand alone indication.

Features

- ✓ Compatible with Flowline level transmitter and leak detection sensors
- ✓ Alarms can be configured for high level, low level or out of bounds
- ✓ Adjustable LED backlight for night use outdoors and/or in dimly lit locations
- ✓ MicroCal provides convenient interface for indicator calibration and cloning
- ✓ Corrosion resistant PC/ABS FR enclosure rated NEMA 4X



LC95/6
Shown

MicroPoint Ordering

LI4 -1001

Sensor input channels (1) (2) (3)

2 2 channels (transmitter or switch)
4 4 channels (transmitter or switch)

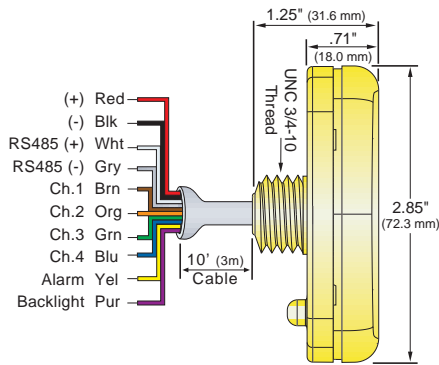
Ordering Notes

- 1) For indicator and loop power, order the LC95-1001 (120 VAC) or LC96-1001 (240 VAC) power supply (24 VDC @ 0.6A).
- 2) Factory calibrated, the indicator displays % of span with transmitter inputs only and no alarm set points.
- 3) Order the LI96-1001 MicroCal PC calibration kit to display engineering units, configure alarm set points from transmitter and switch inputs, and/or linearize the volumetric measurement of odd shaped tanks. Each kit includes (1) PC Windows® based MicroCal software CD and (1) USB to RS485 adapter with 1m cable.

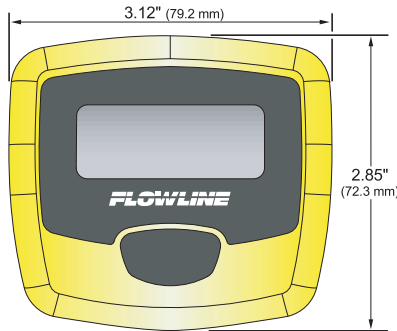


MicroPoint™ Multi-Channel Level Indicator

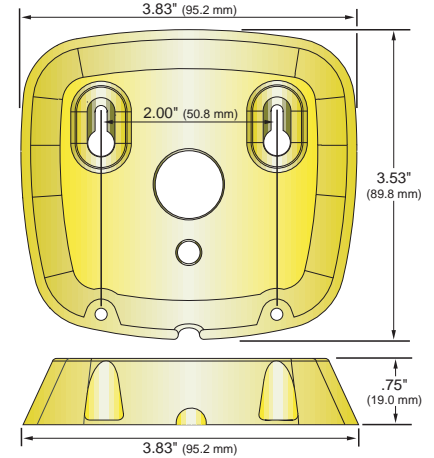
Side View



Front View

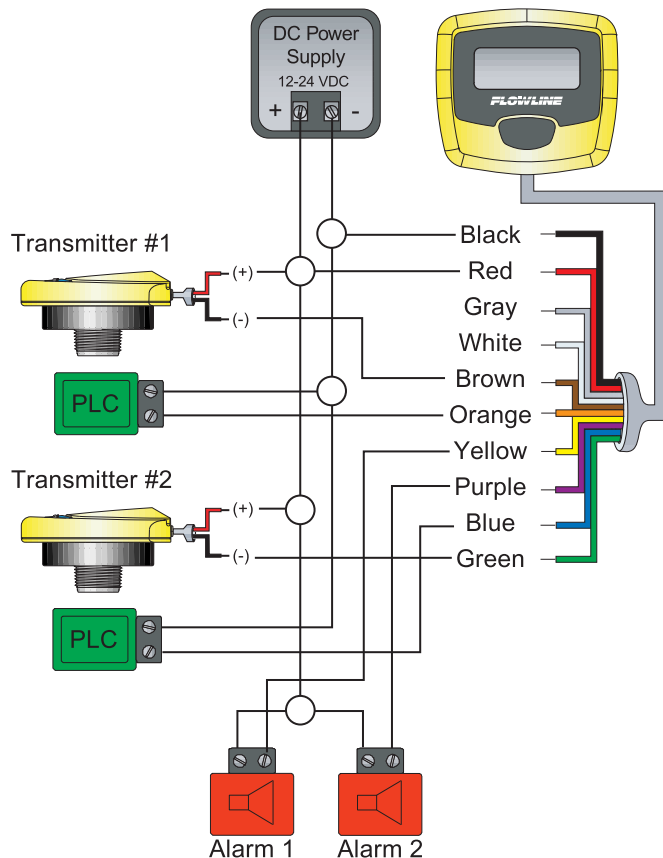


Wall Mount Bracket



Specifications are subject to change without notice.

LI42 Wiring Diagram



LI44 Wiring Diagram

